

**Model:** PXL-2 EHD (Penetrating)  
**Type:** Penetrating Mount System  
3.0M to 4.0M Antennas

Baird is the world's leading antenna mounting systems manufacturer. Baird designs, tests and manufactures mounting systems for every antenna offered in the world today. In the most demanding situations and conditions on earth, Baird is ***Underneath It All.***

### Superior Quality

- 100% hot dipped galvanized finish
- Zinc plated hardware
- Design tested for survivability
- State-of-the-art manufacturing
- Heavy gauge steel fabrication

### Ultimate Flexibility

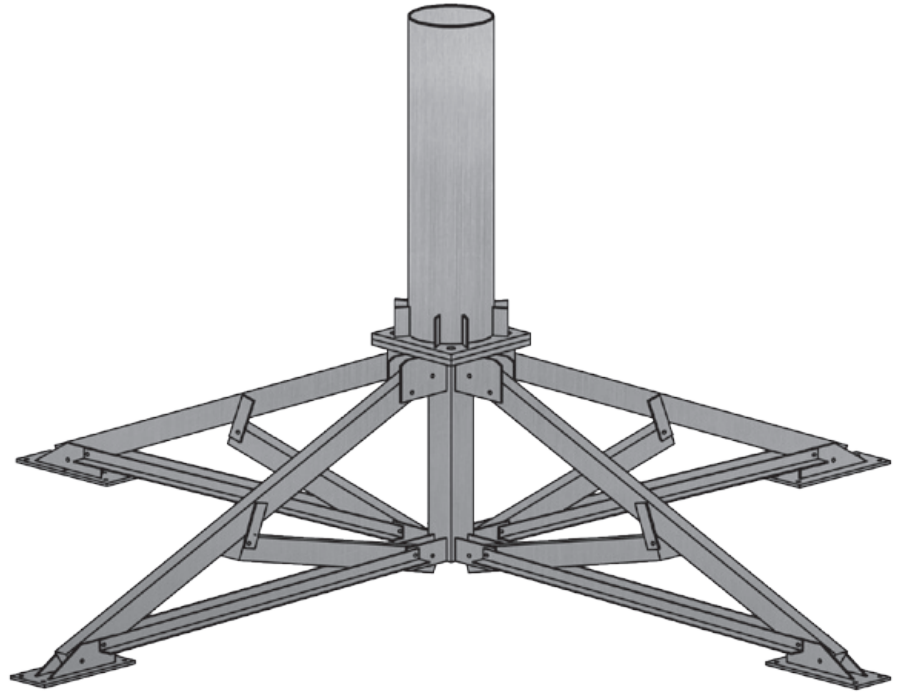
- Mast sizes to accommodate ALL major antenna brands
- Mast heights up to 10' (3.2M) for wireless and other applications
- Custom installations? Baird can meet your needs with more than 20 years of Industry experience

### Product Support

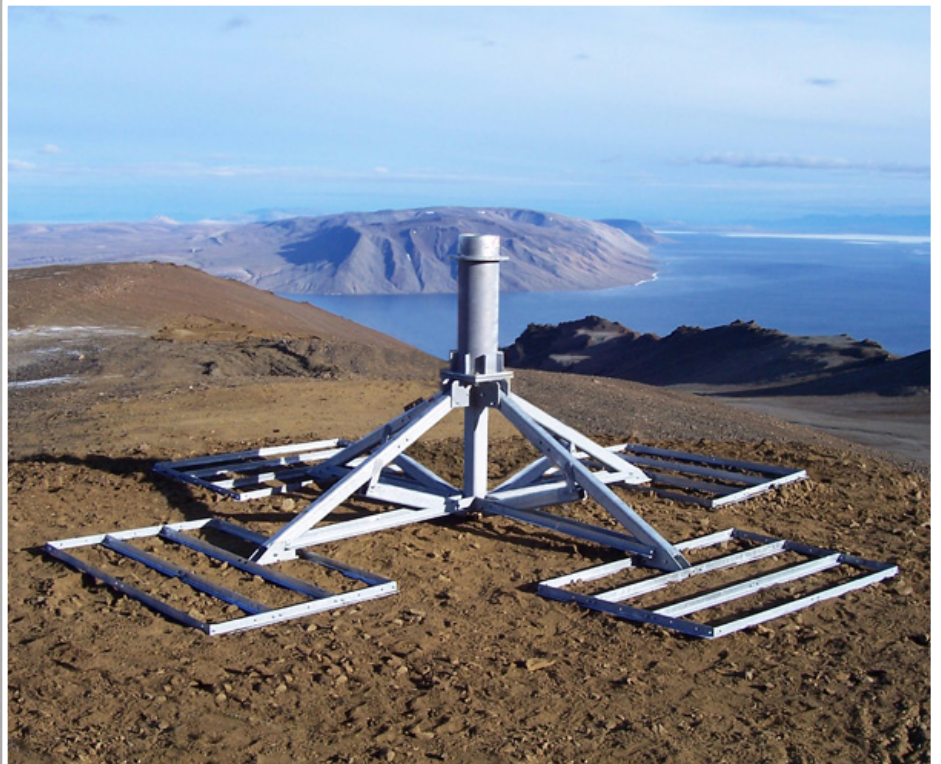
- Engineering and installation support
- Site specific ballast calculations
- Same day shipping of in-stock items
- Extensive inventory

### Warranty

- Your mount is backed by Baird's industry leading...**10 year warranty!**



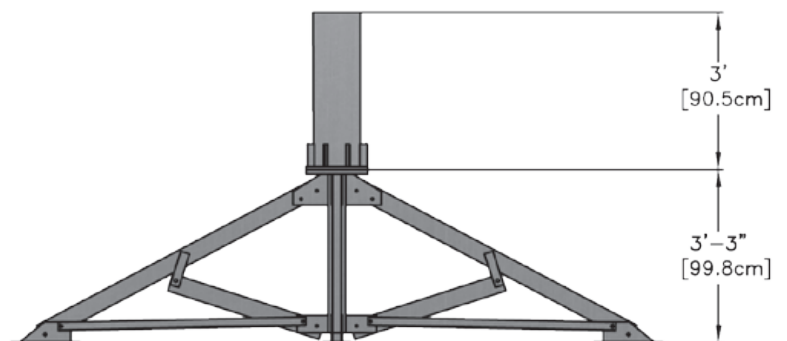
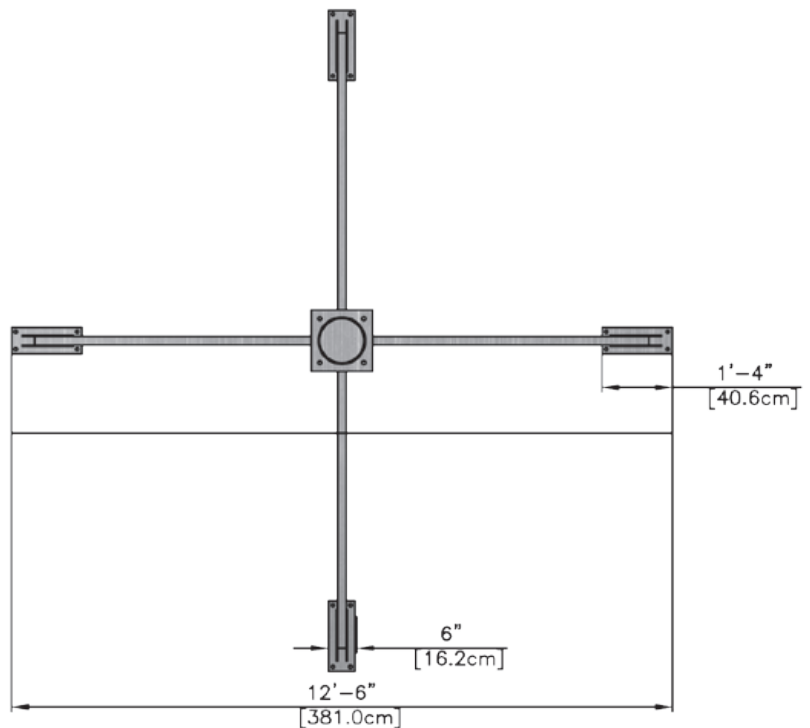
**The PXL-2 EHD is a durable mounting system used with all major brands of satellite antennas from 3.0M to 4.0M, wireless products and other applications.**



PART NUMBER	DESCRIPTION
PXE-P-550x4-P	Penetrating Mount, 12.4' x 12.4' Footprint, 5.50" O.D. x 4' Mast
PXE-P-5568x30-P	Penetrating Mount, 12.4' x 12.4' Footprint, 5.56" O.D. (S80) x 2.5' Mast
PXE-P-662x3-P	Penetrating Mount, 12.4' x 12.4' Footprint, 6.62" O.D. x 3' Mast
PXE-P-6628x3-P	Penetrating Mount, 12.4' x 12.4' Footprint, 6.62" O.D. (S80) x 3' Mast
PXE-P-6628x43-P	Penetrating Mount, 12.4' x 12.4' Footprint, 6.62" O.D. (S80) x 4.3' Mast
PXE-P-6628x55-P	Penetrating Mount, 12.4' x 12.4' Footprint, 6.62" O.D. (S80) x 5.5' Mast
PXE-P-1075x3-P	Penetrating Mount, 12.4' x 12.4' Footprint, 10.75" O.D. (Collar) x 3' Mast
PXE-P-1075x3-P	Penetrating Mount, 12.4' x 12.4' Footprint, 10.75" O.D. (No Collar) x 3' Mast

### PRODUCT INFORMATION

Application:	Roof-Top or Ground
Type:	Penetrating, Flat Surface
Uses:	Satellite 3.0M to 4.0M Other Applications
Footprint:	12.4' x 12.4' = 153.8 sq ft
Finish:	Hot Dip Galvanized
Available Options:	3 Trays Per Leg 4 Trays Per Leg Penetrating Feet (No Trays)
Satellite Mast Sizes:	5.50" O.D. to 10.75" O.D. 2.5' Mast to 5.5' Mast (Mount Height = 5.75' to 8.75')
Wireless / Other Application Mast Sizes:	4.50" O.D. to 10.75" O.D. 3.0' to 17.0' Height (Mount Height = 6.25' to 20.25')
Ballast:	Not Required
Shipping:	Freight Pallet or Crate
Warranty:	10 Year Product Warranty



**Model: PXL-2 EHD (Penetrating)**  
**Type: Penetrating Mount System**  
**3.0M to 4.0M Antennas**

Baird Mounting Systems  
3160 Logan Ave  
Waterloo, Iowa 50703

Phone: 319-233-3561  
Fax: 319-235-7653

[www.BairdMounts.com](http://www.BairdMounts.com)